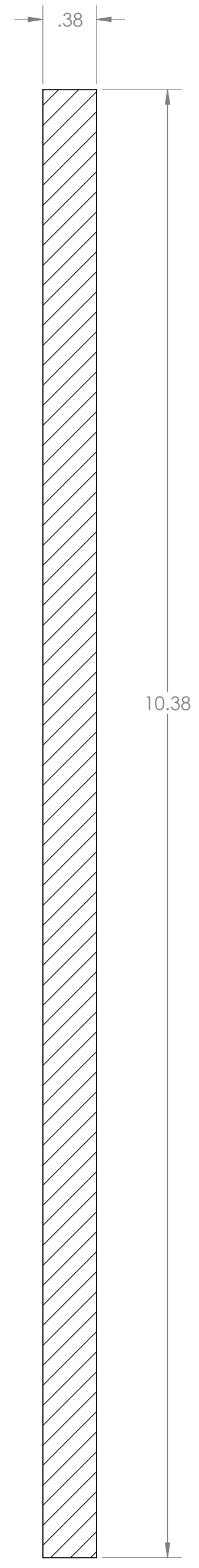
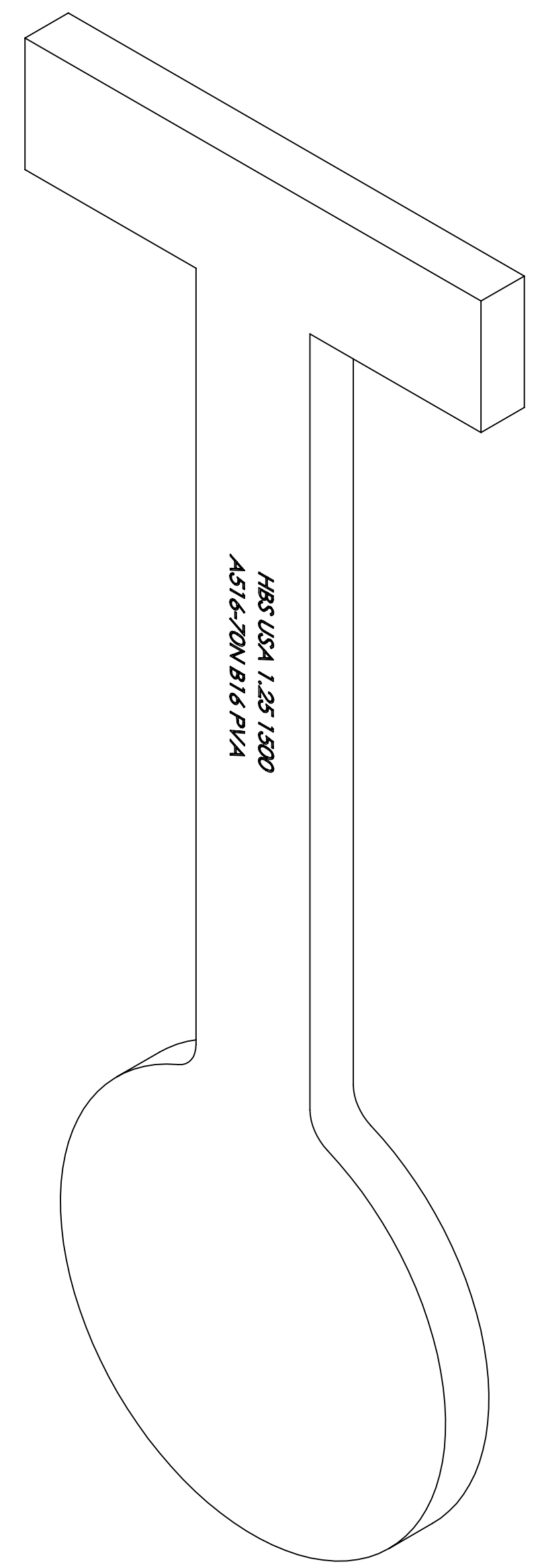


HBS USA 1.25 1500
A516-70N B16 P1A



SECTION A-A



DO NOT SCALE PRINT		UNLESS OTHERWISE SPECIFIED: OUTSIDE DIAMETER: (+/-0.12) INSIDE DIAMETER: (+/-0.12) THICKNESS TOLERANCES (-ZERO +0.12) ALL UNITS IN INCHES OR POUNDS		HYDROBLIND SOLUTIONS
MATERIAL: CUSTOMER REQUESTED		SHEET 1 OF 1		
DATE: 06/08/2020		DIMENSIONS & TOLERANCES TO BE IN ACCORDANCE WITH ASME B16.48		DRAWING TITLE: 1-1/4 CL 1500 PADDLE BLIND T HANDLE
SCALE 1:0.8	SIZE C	DRAWING NUMBER: FPBI		